

1) Fall Protection Screens shall be of such construction and mounting that they are capable of withstanding a load of at least 200lbs. applied perpendicularly at any one area of the screen. They shall also be of such construction and mounting that under ordinary impact loads they will not break the glass/domes below them.

2) Fall Protection Screens shall be manufactured from not less than 6 gauge galvanized steel wire having openings no larger than 4" X 4" and shall be heliarc welded to two 1.25" X 1.25" X .1875" galvanized steel angles. Two threaded rods with nylon insert washers shall secure the Fall Protection Screen o the skylight.

3) Reference Standards: OSHA - 29 CFR Parts 1910 & 1926 (specifically 1926.501 & 1926.502) Roof Opening Fall Protection.

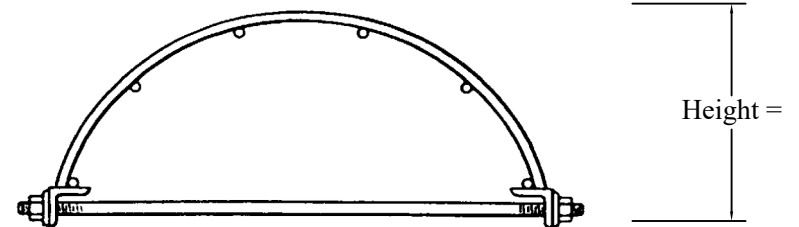
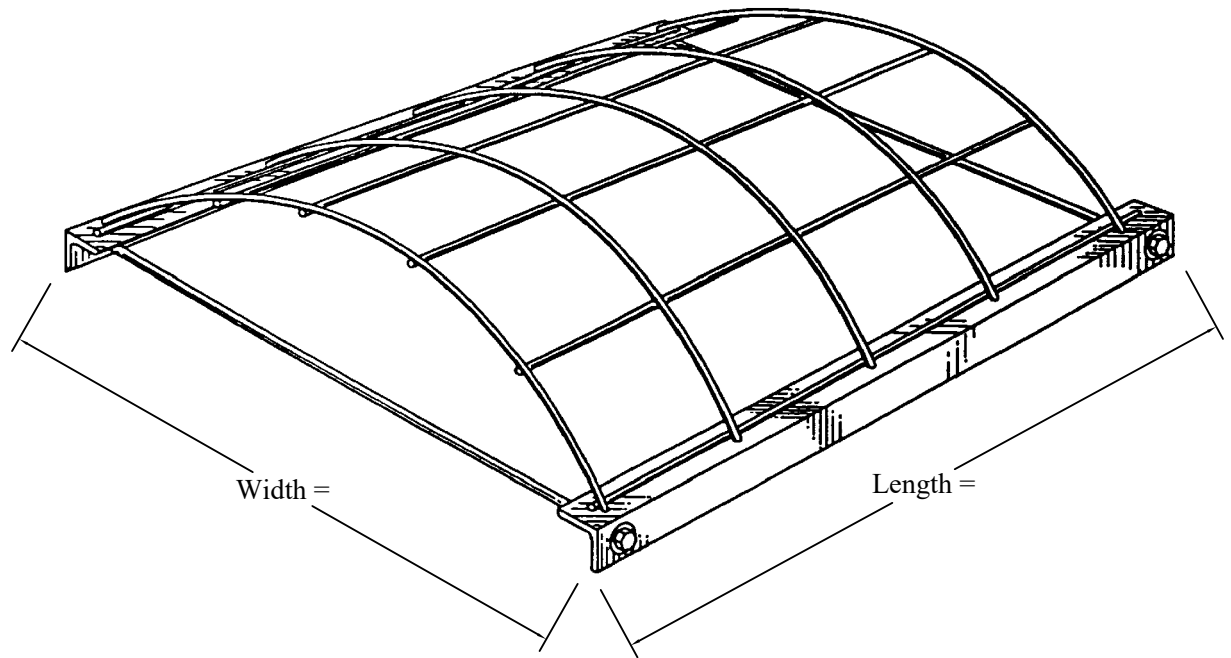
4) American Skylites also manufactures **FALL PROTECTION SKYLIGHTS** that do not require this type screen. Fall Protection skylights are an attractive alternate that do not require the added installation labor of a screen and provide a clear, unobstructed view from inside the building.

5) 4" is added to the length for attachment rod clearance.

FALL PROTECTION SCREEN

FOR FALL PROTECTION SCREENS PROVIDE
OUTSIDE DIMENSION OF TOP FRAME

QTY: 5 OD FRAME = 68 x 68



AMERICAN SKYLIGHTS

Phone: 855.772.7401 Fax: 855.445.7282